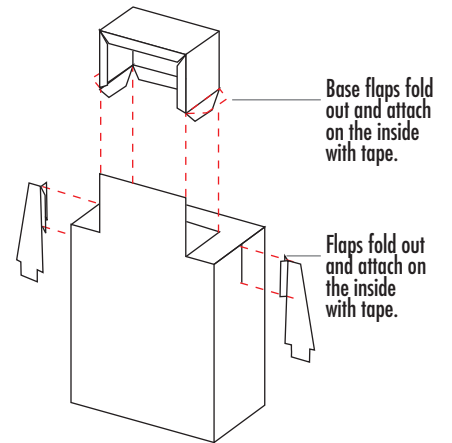


Instructions to put Can Man Together

----- Fold Lines
 _____ Cut Lines

1. Carefully cut along the black lines
2. Fold along the dotted lines
3. Glue along each tab
4. Attach the tabs to the right sides
5. Follow the diagram below to put Can Man's arms and head on the right way.



6. Place all your paper scraps in the recycling bin